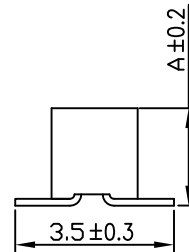
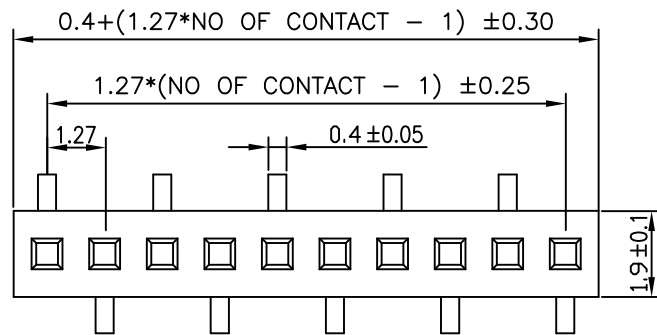
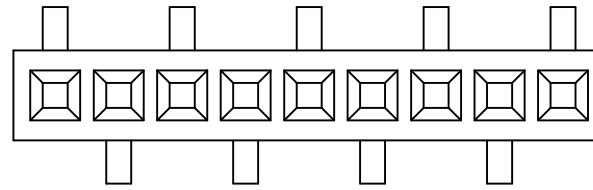
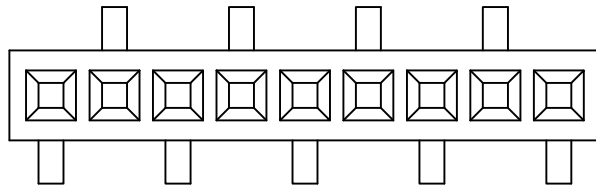


REV	ECN. NO.	APP.	DATE
B			

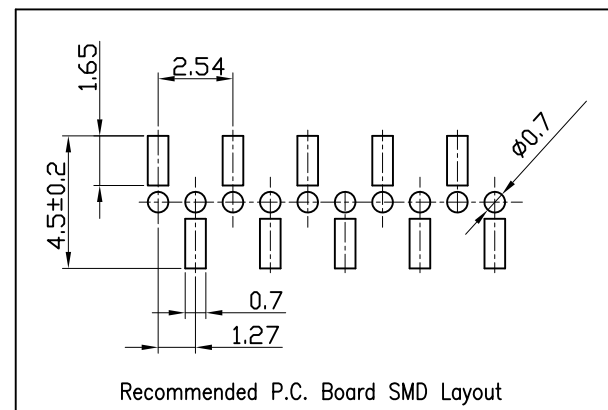
A TYPE

B TYPE



Base Height

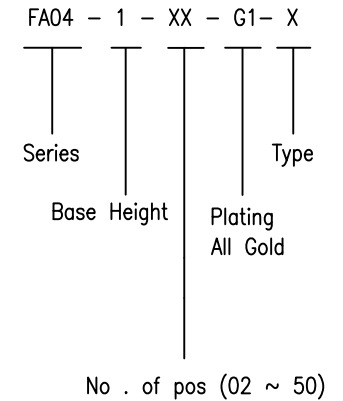
H	A
1	2.20



SPECIFICATION

- * Current Rating:
1 A
- * Withstanding Voltage:
300 VAC (1 min.)
- * Insulation Resistance:
1000 Megohms MIN.
- * Contact Resistance:
30 Milliohms MAX.
- * Operating Temperature:
-40°C to +105°C

ORDER INFORMATION



MATERIAL

- * Contact: Phosphor Bronze
- * Insulator: PA6T + 30% G.F.
- * Plating: All Gold

(주)신화테크

SHINHWA TECH CO.,LTD

TEL : 031-451-9441 FAX : 031-451-9444

0.0±	SCALE:	TITLE:	PART NO:
0.00±	UNIT: MM	1.27MM Female Header Single Row SMD (H:2.2)	APP BY:
0.000±		MATL: PA6T + 30% G.F.	CHK BY:
		DWG NO: FA04	DR BY: